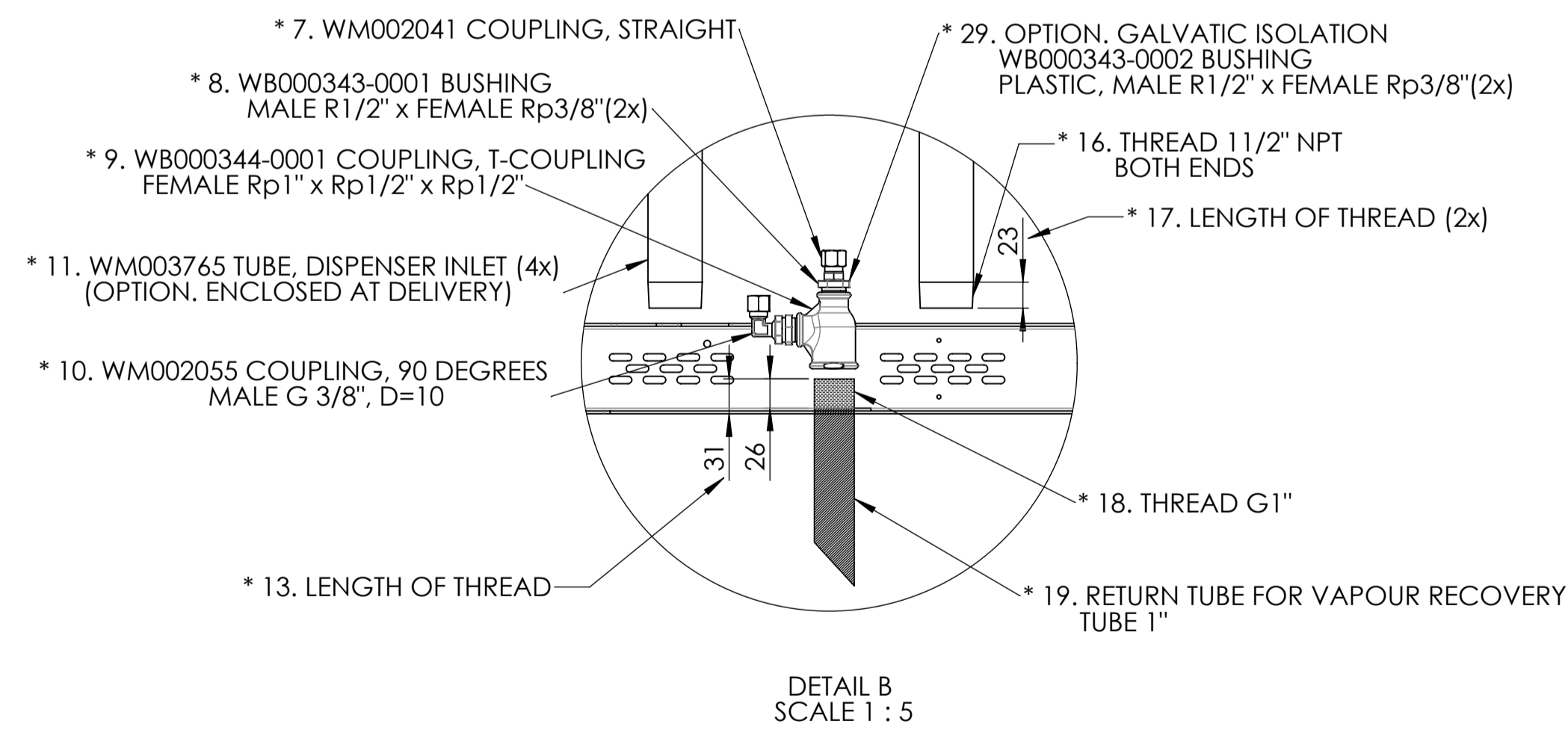


**\* 6. VAPOUR RECOVERY AND INLET PARTS ENCLOSED AT DELIVERY**



PROPRIETARY INFORMATION - THIS DOCUMENT CONTAINS PROPRIETARY AND CONFIDENTIAL INFORMATION. IT IS LOANED FOR LIMITED PURPOSES ONLY AND REMAINS THE PROPERTY OF THE WAYNE DIVISION OF DRESSER INC. IT MAY NOT BE REPRODUCED IN WHOLE OR IN PART WITHOUT THE WRITTEN CONSENT OF THE WAYNE DIVISION AND MUST NOT BE DISCLOSED TO PERSONS NOT HAVING NEED OF SUCH DISCLOSURE CONSISTENT WITH THE PURPOSE OF THE LOAN. IT MUST NOT BE USED FOR ANY PURPOSE OTHER THAN FOR THE BENEFIT OF THE WAYNE DIVISION. THIS DOCUMENT IS TO BE RETURNED TO THE WAYNE DIVISION UPON REQUEST, AND/OR UPON COMPLETION OF THE USE FOR WHICH IT WAS LOANED.

APPROVED BY	01.0		First Rev.
DRAWN BY	REV	DATE	ECN NO.
Harry Zimmermann			

MATERIAL	DEBURR AND BREAK SHARP EDGES	SCALE	DO NOT SCALE DRAWING		Related Drawing
THICKNESS		1:10			DRAWING NO.
SURFACE TREATMENT					WM048006
SURFACE FINISH					SHEET 1 OF 1
GENERAL TOLERANCE					A1
REPLACED BY					
TITLE					
INSTALLATION INSTRUCTION					
CXX-55, DISPENSER					