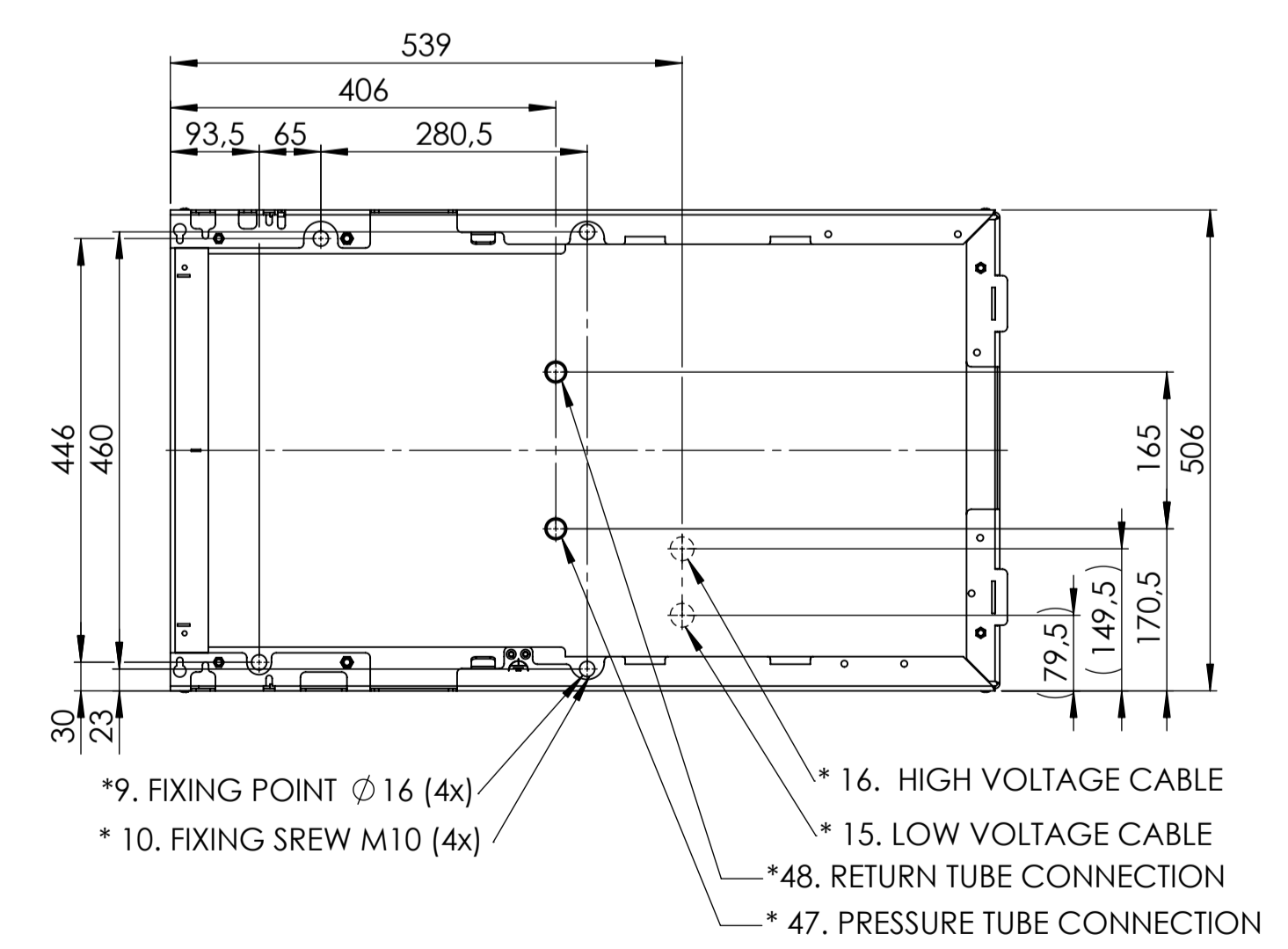


- * 52. DOUBLE SIDED: T-COUPLING, MALE T22-PL (2x)
- * 53. SINGLE SIDED: COUPLING 90 DEGREE, DN22 (2x)

- * 49. MALE THREAD M30X20 FOR CUTTING RING FITTING TUBE DIMENSION 22mm

*17. THE HOLLOW SPACE UNDER THE PUMP IS TO BE FILLED WITH FINE COARSE SAND 0-8 OR LECA-PELLETS 2-4



PROPRIETARY INFORMATION - THIS DOCUMENT CONTAINS PROPRIETARY AND CONFIDENTIAL INFORMATION. IT IS LOANED FOR LIMITED PURPOSES ONLY AND REMAINS THE PROPERTY OF THE WAYNE DIVISION OF DRESSER INC. IT MAY NOT BE REPRODUCED IN WHOLE OR IN PART WITHOUT THE WRITTEN CONSENT OF THE WAYNE DIVISION AND MUST NOT BE DISCLOSED TO PERSONS NOT HAVING NEED OF SUCH DISCLOSURE CONSISTENT WITH THE PURPOSE OF THE LOAN. IT MUST NOT BE USED FOR ANY PURPOSE OTHER THAN FOR THE BENEFIT OF THE WAYNE DIVISION. THIS DOCUMENT IS TO BE RETURNED TO THE WAYNE DIVISION UPON REQUEST, AND/OR UPON COMPLETION OF THE USE FOR WHICH IT WAS LOANED.

| | | | |
|------------------------------|-----|------------|------------|
| APPROVED BY John Larsson | 01 | 2010-06-11 | First Rev. |
| DRAWN BY Harry Zimmermann | REV | DATE | ECN NO. |

| | | | | | |
|----------------|------------------------------|--|----------------------|------------------------------------|---|
| MATERIAL | DEBURR AND BREAK SHARP EDGES | SCALE 1:7 | DO NOT SCALE DRAWING | | Related Drawing DRAWING NO. WM032722 SHEET 1 OF 1 |
| THICKNESS | SURFACE TREATMENT | TITLE INSTALLATION INSTRUCTION GLOBAL STAR PHASE V LPG | | | |
| SURFACE FINISH | GENERAL TOLERANCE | REPLACED BY | | SW FORM REF: WB000245 Revision 01. | |